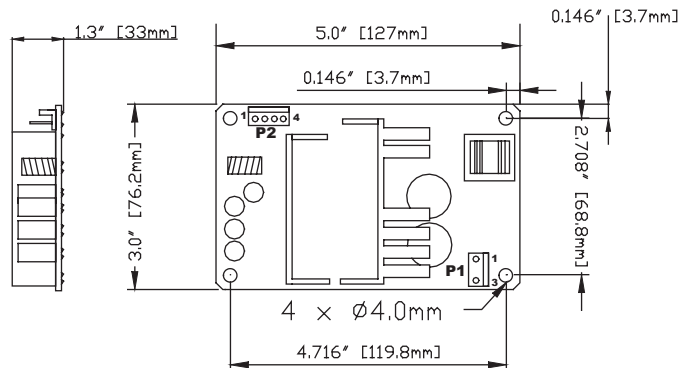
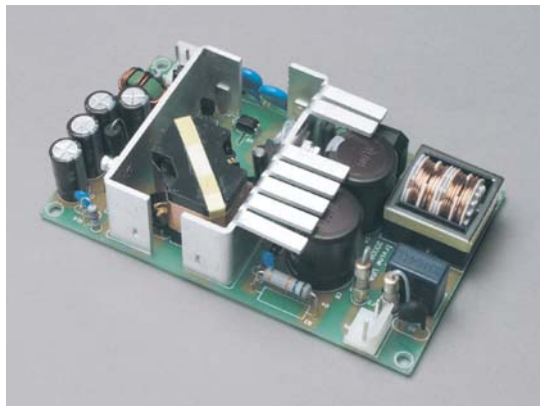


MSM60 series

60 Watt Medical Grade Power Supply



Features

- Wide range AC input
- Fully regulated output
- High efficiency
- Medical grade approval
- 5 year warranty

Environmental

- Operating temperature..... 0° C to 50° C
- Storage temperature..... -55° C to 85° C
- Weight = 0.50 lbs

EMI/EMC

- Meets FCC class B, CISPR 11 class B
- EMC per EN60601-1-2

Safety

- UR/cUR UL2601-1
- CE Marked EN60601-1-2:2001

Polarity	1	2	3	4
Input P1	Line	-	Neutral	-
Output P2	Com	Com	+V	+V

Input and Output Connections

- Input mating connector = Molex p/n 09-50-3031 or equivalent
- Input mating connector contacts = Molex p/n 08-50-0105 or equivalent
- Output mating connector = Molex p/n 09-91-0400 or equivalent
- Output mating connector contacts = Molex p/n 08-50-0164 or equivalent

Electrical Specifications

Input

- Voltage..... 100 - 240 VAC
- Current..... 1.1 Amp @ 100 VAC
- Frequency..... 50 - 60 Hz
- Earth leakage current.....

Test Voltage	Normal	Single-fault
132 VAC 60 Hz	50 uA	100 uA
264 VAC 60 Hz	100 uA	200 uA

Output

- Line regulation..... TYP +/- 0.5%
- Load regulation..... TYP +/- 2%
- Hold up time..... 15 ms min at full load, 115 VAC
- Transient response..... 2 ms for 50% to 100% load change
- Over voltage protection..... Built-in
- Over current protection..... Built-in
- Short circuit protection..... Pulsing mode, auto recovery
- Efficiency..... 80% min at full load and 115 VAC
- Ripple/noise (V_{p-p})..... 1% (20 MHz bandwidth)

Model No.	Voltage	Power	Current
MSM6012	12V	60W	5.0A
MSM6024	24V	60W	2.5A